

Two Functions In One Unit Improve Both Procedural And Cost Efficiency



The Two-In-One LUS-2 Ultrasonic Lithotripter — Powerfully Disintegrates Calculi, Then Simultaneously Removes The Fragments

Ultrasonic lithotripsy is already highly-regarded for being minimally invasive, while disintegrating calculi and removing the fragments simultaneously. Yet by carefully re-examining every element of its conventional lithotripsy products, Olympus has developed new ways to improve efficiency. The result is the LUS-2 Ultrasonic Lithotripter. Improvements include an ergonomic and lightweight transducer to lessen hand fatigue, a more compact body to save space, and a wider array of probes to be prepared for any situation. The LUS-2 Ultrasonic Lithotripter from Olympus—Efficient ultrasonic lithotripsy for efficient medical professionals.

Lightweight, Ergonomic, And Autoclavable Transducers

The LUS-2's transducer is not only lightweight and ergonomically designed to minimize hand fatigue, but also allows fast and low-cost autoclave sterilization that uses safe high-pressure steam, instead of ethylene oxide gas or formaldehyde.



Both Disintegration And Removal In A Single Compact Unit

The compact LUS-2 is capable of both disintegration of calculi and removal of the fragments, which simplifies your procedures, saves space, and makes the equipment easy to carry.

Wide Array of Easy-To-Replace Probes

Six types of optional probes are available, and changing them is simple and easy. The 2.0 mm O.D. probe has been newly added, widening the selection and versatility even further.



Several Easy-To-Adjust Ultrasonic Output And Suction Settings

The 3 ultrasonic lithotripsy output settings and 4 suction power settings are easy to select.

Warning Indicator

Upon detecting a disconnection/damage of the probe or a transducer malfunction, a warning indicator on the front panel lights up and an alarm sounds.

Recommended Combinations



Adapters for LUS-2 simplify the handling of LUS-2 and prevent the probe from getting kinked or damaged during the procedure.

■ Specifications

LUS-2 Ultrasonic Lithotripter

Power Supply	Voltage	120/230-240V AC
	Power Fluctuation	Within ±10%
	Frequency	50/60 Hz
	Input Current	6A (at 120V AC), 3A (at 230-240V AC)
Size	Dimensions (including pump head and bottle holder)	360 (W) x 160 (H) x 450 (D) mm
	Weight	13 kg
Classification (electro-medical equipment)	Protection Against Electric Shock	Class I
	Protection Against Electric Shock With Applied Part	Type BF (low frequency leakage current below 100 µA)
	Protection Against Explosion	Never use the LUS-2 in a flammable situation.
	Hand Pieces	Only the Olympus Transducer for the LUS-2 can be used.
Ultrasonic Output	On/Off Operation	Foot switch
	Output Setting	The output level can be set by pressing the ultrasonic output setting switches (level 1, 2, 3).
	Frequency	23.5 kHz
Suction	On/Off Operation	Foot switch
	Suction Setting	The suction level can be set by pressing the suction setting switches (level 0, 1, 2, 3).
Safety Features	Problems With Ultrasonic Output	When probe damage/looseness or transducer malfunction occur, ultrasonic output is stopped, a warning alarm sounds, and the ultrasonic output error indicator lights up.

MAJ-1215 Transducer

Maximum Outer Diameter Of Hand Piece (when fully assembled)	34mm
Weight	125g (excluding hand piece cord and plug)
Length Of Hand Piece Cord	3m

MAJ-1001 Foot Switch

Size	Dimensions	270 (W) x 86 (H) x 220 (D) mm
	Weight	3.2kg
	Length Of Cord	4m
Classification (electro-medical equipment)	Water Resistance	Type IPX8 IEC60529 watertightness (except plug section)
	Degree Of Protection Against Explosion	Category AP



■ LUS-2 Standard Set

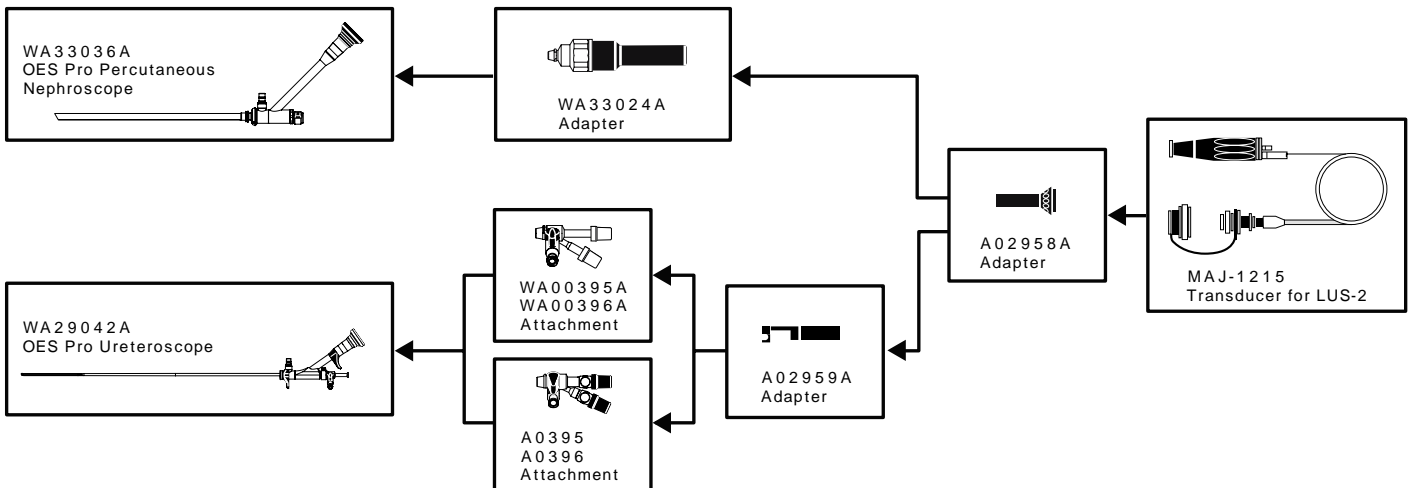
- **LUS-2** Ultrasonic Lithotripter
- **MAJ-1001** Foot Switch For LUS-2
- **MB-721** Suction Tube
- **MAJ-1053** Drain Tube For LUS-2 (2 pcs.)
- **MAJ-1078** Debris Collection Bottle For LUS/LUS-2
- **Power Cord**
- **MAJ-1215** Transducer For LUS-2
- **MAJ-1114** 3mm/6mm Torque Wrench

■ Probe For LUS-2



	Outer Diameter	Working Length	Packed With Probe Unclogging Rod
MAJ-981	1.5mm	384mm	MB-728
MAJ-982	1.5mm	593mm	
MAJ-1216	2.0mm	400mm	
MAJ-983	2.3mm	484mm	
MAJ-984	3.4mm	399mm	MB-727
MAJ-985	3.7mm	407mm	

■ Chart Of Adapter Connection



Specifications, design and accessories are subject to change without any notice or obligation on the part of the manufacturer.

OLYMPUS

OLYMPUS MEDICAL SYSTEMS CORP.
Shinjuku Monolith, 3-1 Nishi-Shinjuku 2-chome, Shinjuku-ku, Tokyo 163-0914, Japan
OLYMPUS WINTER & IBE GMBH
Kuehnstrasse 61, 22045 Hamburg, Germany
OLYMPUS MEDICAL SYSTEMS EUROPA GMBH
Postfach 10 49 09, 20034 Hamburg / Wendenstrasse 14-18, 20097 Hamburg, Germany
OLYMPUS SURGICAL & INDUSTRIAL AMERICA INC.
One Corporate Drive, Orangeburg, New York 10962, U.S.A.
OLYMPUS LATIN AMERICA, INC.
6100 Blue Lagoon Drive, Suite 390 Miami, Florida 33126-2087, U.S.A.
KEYMED LTD.
Keymed House, Stock Road, Southend-on-Sea, Essex SS2 5QH, England

OLYMPUS SINGAPORE PTE LTD.
491B River Valley Road #12-01/04, Valley Point Office Tower, Singapore 248373
OLYMPUS HONG KONG AND CHINA LIMITED
Room 1520-1527, Ocean Centre, 5 Canton Road, Tsimshatsui, Kowloon, Hong Kong
OLYMPUS (BEIJING) SALES & SERVICE CO., LTD.
Room 1202, NCI Tower, A12 Jianguomenwai Avenue Chaoyang District Beijing, 100022, China
OLYMPUS MOSCOW LIMITED LIABILITY COMPANY
117071, Moscow, Malaya Kaluzhskaya 19, bld. 1, fl.2, Russia
OLYMPUS AUSTRALIA PTY LTD
31 Gilby Road, Mount Waverley, VIC., 3149, Australia

www.olympus.com

Printed in Japan R294UB-0706